



GLOCK

2021 BUYER'S GUIDE



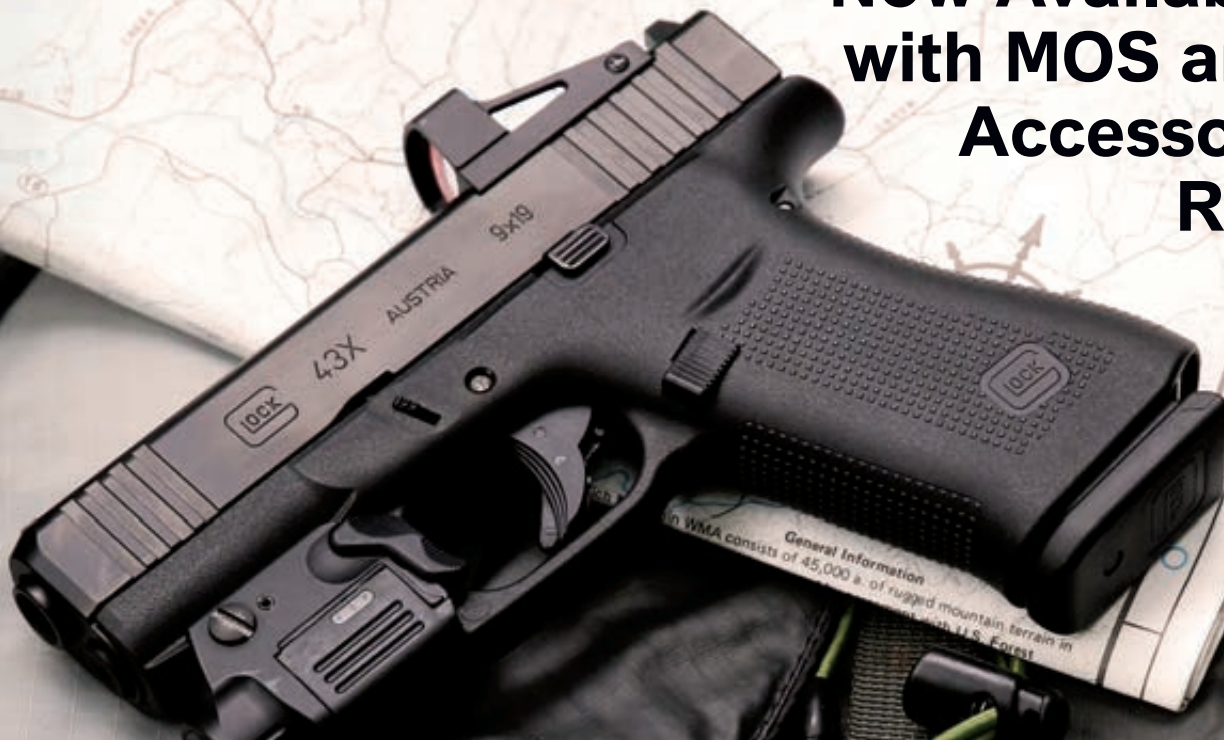
SAFE. SIMPLE. FAST. = CONFIDENCE.

www.glock.com

Are You Ready For a Better View?

G43X™ and G48™

**Now Available
with MOS and
Accessory
Rail**



G43X™

G48™

MOS



2021 BUYER'S GUIDE

OPTIC READY GLOCK SLIMLINE MOS

THE G43X AND G48 ARE NOW AVAILABLE WITH OPTIC MOUNTING PLATES AND ACCESSORY RAIL

■ ARTICLE BY CHRIS EDWARDS

The new Slimline G43X and G48 come equipped with GLOCK's MOS—Modular Optic System—slide cut. The removable MOS cover plate is optional for mounting compact red-dot optics. That design also means the body of the optical sight is that much closer to the shooter's actual line of sight. There's no need for high, suppressor-type back-up sights, and the standard GLOCK sights are visible through the lens of whatever compact red-dot you choose to mount.

The G43X MOS and G48 MOS Slimline models also gain GLOCK's mounting rail system. A light attached to the rail of a G43X MOS or G48 MOS is closely aligned with the firearm's bore, and its positioning in front of the trigger guard allows the operator to maintain a two-handed grip, making this design highly functional.

Major metal components wear a super-hard surface finish in both new Slimline models, just as both wear the GLOCK Marksman Barrel (GMB). The surface finish requires minimal maintenance. As far as accuracy is concerned, the G43X MOS and G48 MOS, with quality ammunition, will shoot more accurately than almost any operator is capable of—and with the addition of an electro-optical sight, that just got easier.

MOS models check all the boxes for shooters everywhere. From concealed carry to target shooting, law enforcement to friendly competition, these easy-to-handle and well-equipped guns offer GLOCK's famous reliability, flexibility in application, and durability to make them a favorite for years to come.

THESE GLOCKS CHECK ALL THE BOXES

Introducing a red-dot optic and an accessory rail let the G43X and G48 in their MOS versions claim their places as critical accessories for the independent lifestyle. Minimalist and superb tools for self-defense, they encompass several critical attributes:

2 GLOCK 2021 BUYER'S GUIDE



- Chambered in 9x19
- Ability to mount an electro-optical sight without the need for brand-specific mounting plates
- Incorporated GLOCK mounting rail system for lights or other sighting devices
- Gen5 technology
- nDLC surface finish for extreme durability
- GLOCK Marksman Barrel (GMB)
- Magazine capacity of 10 rounds

Taken together, it's easy to see that the G43X MOS and G48 MOS models check all the boxes for shooters everywhere. From concealed carry to target shooting, law enforcement to friendly competition, these easy-to-handle and well-equipped guns offer GLOCK's famous reliability, flexibility in application, and durability to make them a favorite for years to come. ●

GENERATION EXPANSION

GLOCK'S .40 AUTOS UPGRADE TO GEN5

FOR THOSE WHO LOVE THE .40 AUTO ROUND AND HAVE WISHED FOR ALL THE TECHNOLOGY AND INNOVATION GLOCK OFFERS IN ITS GEN5 FAMILY, THE WAIT IS OVER.

■ ARTICLE BY CHRIS EDWARDS

Several years ago, U.S. federal law enforcement began to ask for, and later adopt, GLOCK pistols in 9x19. There were many factors driving the change, not the least of which was new technology in defensive 9x19 ammunition that resulted in enhanced terminal performance. Other advantages in adopting GLOCK 9x19 handguns included improved operator success during training, increased magazine capacities, and decreased preventative maintenance over the life of the firearm. State and local agencies also took note, and soon the number of Gen5 9x19 GLOCKS in service was astronomical.

Still, some agencies and individuals wished to stick with and adopt .40 AUTO GLOCK pistols, and these followers of this popular cartridge were not to be left out when it came to the many advances seen in GLOCK's Gen5 models. GLOCK, as a company, has done extensive engineering and testing across calibers in the development of its fifth-generation handguns. Now, after testing to meet the exceptional rigors of military use, GLOCK introduces .40 AUTO platforms to the Gen5 family of models. The Gen5 GLOCK 22, GLOCK 23, and the GLOCK 27 have all the qualities of other Gen5s:

- The durable, rust-resistant, and low-visibility GLOCK nDLC hard-surface finish
- The ambidextrous slide-stop lever and reversible magazine catch
- The GLOCK Interchangeable Back Strap System
- A textured grip surface with full wrap-around coverage
- The precision GLOCK Marksman Barrel (GMB) chambered in .40 AUTO
- The Gen5 evolution of the GLOCK SAFE ACTION® fire-control system and improved trigger pull
- A flared magazine well for increased ease and speed of loading

Several GLOCK Professional instructors, including some who had carried earlier generations of .40 AUTO GLOCKS in harm's way, evaluated the new pistols' characteristics. They were impressed with the control and reduction in felt recoil and muzzle rise.

To what can that be attributed? Working from the data gleaned from literally hundreds of thousands of rounds fired, GLOCK increased the mass of the slide and made adjustments to the recoil spring. The result is a .40 AUTO GLOCK that approaches the shootability of a 9x19. Indeed, the Gen5 G22 and G23 models look a good deal like their smaller-caliber brethren, only with the slide a bit larger and reflecting its extra mass.

Why push the technology on GLOCK's .40 AUTO to Gen5 level? Those with field and hunting experience have noted the larger caliber, in full metal jacket configuration, may penetrate deeper through the heavy bone of four-legged predators. One foreign national police force, lacking ready access to expanding projectiles, picked the .40 GLOCK, assumedly for the same reason, but not before that agency conducted an exhaustive, 10,000-round endurance test without incident.

Whatever the task at hand—law enforcement or military duty, competition, self-defense, and even hunting—for those who have wished for the most advanced GLOCK to go with their favored .40 AUTO round, your patience has been rewarded: The wait is over. 🎯





OUT WITH THE OLD, IN WITH THE NEW GEN5 TECHNOLOGIES

GLOCK'S GEN5 PISTOLS EXCEED THE REQUIREMENTS FOR RELIABILITY AND DURABILITY—INDEED, PERFECTION—IN EVER GREATER EXTREMES.

■ **ARTICLE BY CWO-5/GUNNER CHRISTIAN P. WADE, USMC (RET.)**

With each successive generation of GLOCK SAFE ACTION® pistols, I find myself

enjoying increasing capability levels. Just when I think GLOCK engineers could achieve no greater efficiency, each subsequent generation presents me potential heretofore unimagined. So, when GLOCK introduced its Gen5 series, I immediately took notice.

A DETAILED STUDY—AND IMPULSIVE PURCHASE

The first questions I pondered were, “If the GLOCK Gen5 is good enough for FBI agents, does that automatically mean the GLOCK Gen5 is good enough for me?” and “Are the improvements in the GLOCK Gen5 worth an additional expenditure?”

The proof of the pudding is in the eating, as they say. Inspecting a GLOCK 17 Gen5 at a local gun store, I found GLOCK had introduced far more engineering refinements to its Gen5 series than I'd anticipated. The first advancements I noted were the improved GLOCK Marksman Barrel (GMB), smoothed and blended frame and slide edges, an ambidextrous slide-stop lever, removal of finger grooves, a fully beveled magazine well, and a new nDLC finish. After properly clearing the pistol and admiring the new, high-visibility magazine follower, I went straight for what I believe to be one of the most essential character traits of a pistol, the trigger “feel”—and I was impressed at the upgraded crispness, clean break, and rapid reset of the trigger after firing.

Internally, I found a more robust and precise firing pin safety engagement, the omission of the locking block pin, and a new trigger spring design, no doubt the face behind the improved trigger feel. I was also encouraged by the redesigned ambidextrous slide-stop lever with a coil spring in place of a leaf spring, as well as a strengthened trigger bar.

I admit it—I purchased the G17 Gen5 right then and there.

4 GLOCK 2021 BUYER'S GUIDE



OFF TO THE RANGE— AND ANOTHER PURCHASE

The next logical step in the discovery process was to head to the range. GLOCK Gen5 pistols retain the multiple interchangeable backstraps and the reversible magazine catch of the previous generation. I quickly installed the medium beavertail backstrap. Despite the Gen5's omission of finger grooves, and given my relatively large hand size, I perceived a counterintuitive and unexpected increase in purchase on the grip. The GLOCK Gen5's frame easily shrugs off even my most enthusiastic attempts at a crushing grip, greatly contributing to my ability to maintain the pistol on target for rapid and accurate subsequent shots. Also, I am right-handed and initially somewhat indifferent to the addition of the ambidextrous slide-stop lever. But, once I began conducting weak-side and left-hand-only training drills, I quickly appreciated this new functionality. The fully beveled magazine well allowed me to reload more quickly, aggressively, and consistently.



I conducted a variety of threat and reloading drills and recorded the results. After comparing them against data compiled over my years using a GLOCK 19 Gen4, I gave the advantage to the G17 Gen5. Still, I had no choice (at least that is what I told myself) but to also purchase a G19 Gen5.

At the end of the G19 Gen5 testing, I determined that I am faster, more aggressive, and more accurate with a G17 Gen5, mostly due to its larger grip size. Am I physically faster and more accurate with a Gen5 versus a Gen4? Generally, no, but under specific circumstances and due to the additional Gen5 features? Yes. Am I more confident with a GLOCK Gen5 pistol? Absolutely. Data sets from the weak-side and left-hand-only drills revealed advantages from the Gen5's ambidextrous slide-stop lever on both models, and efficiencies were gained during speed reloading, due to the fully beveled magazine well.

NEW POTENTIAL REALIZED

Remember what I wrote in the beginning about "new potential?" Enter the GLOCK Gen5 Modular Optic System (MOS).

This feature has facilitated perhaps the most significant enhancement to my shooting capabilities since I purchased my first GLOCK handgun 30 years ago. Over the past two years, I have moved to the G17 Gen5 MOS, and with dedicated training, my general pistol capabilities have transcended the apex of my skill set when my eyes were young and sharp. Installation of a high-quality reflex sight on the G17 Gen5 MOS has wholly reinvigorated my training, confidence, and enjoyment of this passion.

As if all this were not enough, GLOCK engineers added forward serrations to the Gen5 slide as a standard feature. Admittedly, if GLOCK engineers had asked me if Gen5 pistols should receive forward serrations, I would have said, "That's not a requirement." Fortunately for us all, they did not ask me—and now that I have forward serrations for the first time in 40 years of shooting, my firearm manipulations are even safer and more efficient.

These serendipitous discoveries keep on happening with the Gen5 series, and that's why I selected them. There is great joy in employing the GLOCK Gen5 to its maximum capability, and I sincerely hope you experience it. ☺

ACCURACY
PRECISION PERFECTED

The GLOCK Marksman Barrel (GMB) delivers increased accuracy with an enhanced polygonal rifling and improved barrel crown.

CONVENTIONAL
-Sharp lands that cut bullet jacket
-Grooves that allow gas to escape
-Areas for powder residue to collect
-Harder to clean

POLYGONAL
-Better bullet to barrel fit
-Less bullet deformation
-Better gas seal
-Higher, more uniform velocities
-Increased accuracy

GLOCK MARKSMAN BARREL (GMB)
Same benefits as previous GLOCK barrels plus:
-Lighter chamber specs
-More aggressive polygonal rifling
-Target style crown
-Better accuracy than previous barrels

NOTE: The Gen5 GLOCK Marksman Barrel (GMB) is not compatible to Gen4 and previous models.

Gen4

Gen5

Gen5 Major Design Enhancements:

- GLOCK Marksman Barrel - Recessed target-style crown, tighter chamber specs and more aggressive rifling
- nDLC Finish - Enhanced durability finish on the slide and barrel to reduce corrosion and scratching
- Flared Mag-Well - Larger funnel for faster, smoother reloads
- No Finger Grooves - Superior grip ergonomics and improved fit for various sized hands
- Ambidextrous Slide Stop Levers - Increased ergonomics for left hand shooters and shooting with the support hand

Magazine Base Plates

Standard Floor Plates

Plus Floor Plates

Floor Plate 01

Gen5 Magazines

-Gen5 pistols feature an orange follower and an extended base plate.

-Gen5 magazines are compatible with previous models but will not work with the G19X.





G43X MOS & G48 MOS

These pistols have the ability to mount miniature electronic sights and include GLOCK's mounting rail system for mounting lights or lasers. The new GLOCK 43X MOS and GLOCK 48 MOS pistols have Gen5 technology in a sleek, duty-capable package. The G43X MOS has a subcompact slide, and the G48 MOS has a compact-length slide.

GLOCK's 9x19 Slimline family is growing and so are its amazing attributes:

- 10+1 capacity
- Superior GLOCK reliability
- 9x19 versatility
- Form and function meet to offer ultimate concealability



CALIBER 9x19



	G43X	G43X MOS *New	G48X	G48 MOS *New
ACTION/SYSTEM	SAFE ACTION® (constant double-action mode)			
LENGTH	6.50 in. / 165 mm	6.50 in. / 165 mm	7.28 in. / 185 mm	7.28 in. / 185 mm
HEIGHT	5.04 in. / 128 mm	5.04 in. / 128 mm	5.04 in. / 128 mm	5.04 in. / 128 mm
WIDTH	1.10 in. / 28 mm	1.10 in. / 28 mm	1.10 in. / 28 mm	1.10 in. / 28 mm
SIGHT RADIUS (POLYMER)	5.24 in. / 133 mm	5.24 in. / 133 mm	5.98 in. / 152 mm	5.98 in. / 152 mm
BARREL LENGTH	3.41 in. / 87 mm	3.41 in. / 87 mm	4.17 in. / 106 mm	4.17 in. / 106 mm
BARREL RIFLING	Hexagonal profile with right-hand twist			
LENGTH OF TWIST	9.84 in. / 250 mm	9.84 in. / 250 mm	9.84 in. / 250 mm	9.84 in. / 250 mm
MAG. CAPACITY STD. (RDS)	10	10	10	10
WEIGHT INCL. MAGAZINE	~18.70 oz. / ~530 g	~18.55 oz. / ~526 g	~20.74 oz. / ~588 g	~20.74 oz. / ~588 g
WEIGHT LOADED	~23.07 oz. / ~654 g	~22.96 oz. / ~651 g	~25.12 oz. / ~712 g	~25.12 oz. / ~712 g
TRIGGER PULL	~5.4 lbs. / ~24 N	~5.4 lbs. / ~24 N	~5.4 lbs. / ~24 N	~5.4 lbs. / ~24 N
TRIGGER TRAVEL	~.49 in. / ~12.5 mm	~.49 in. / ~12.5 mm	~.49 in. / ~12.5 mm	~.49 in. / ~12.5 mm
MSRP	\$538	\$582	\$538	\$582

Technical specs may be altered without notice

G44

GLOCK's first .22 LR rimfire pistol is lightweight, dependable, and accurate. With many of the same features and latest Gen5 technologies of larger-caliber GLOCKS, this is the one to have for training, field carry, and just plain fun when target shooting!

Trainer, competitor, and loads of fun—it's all in the G44:

- GLOCK's inaugural .22 LR pistol
- GLOCK SAFE ACTION® fire-control system
- Light recoiling and reliable
- Threaded barrel available for use with suppressors
- Spare magazine, GLOCK Interchangeable Back Straps, and cleaning tools included



Richard King Photo

CALIBER .22 LR



G44

ACTION/SYSTEM	SAFE ACTION® (constant double-action mode)
LENGTH	7.28 in. / 185 mm
HEIGHT	5.04 in. / 128 mm
WIDTH	1.26 in. / 32 mm
SIGHT RADIUS (POLYMER)	6.22 in. / 158 mm
BARREL LENGTH	4.02 in. / 102 mm
BARREL RIFLING	Hexagonal profile with right-hand twist
LENGTH OF TWIST	15.98 in. / 406 mm
MAG. CAPACITY STD. (RDS)	10
WEIGHT INCL. MAGAZINE	~14.64 oz. / ~415 g
WEIGHT LOADED	~16.40 oz. / ~465 g
TRIGGER PULL	~5.8 lbs. / ~26 N
TRIGGER TRAVEL	~0.49 in. / ~12.5 mm
MSRP	\$430

Technical specs may be altered without notice





GLOCK Crossovers: World-Renowned Service Pistols

The GLOCK 19X member of the GLOCK Crossover family features the unmatched combination of a compact-length slide and full-sized frame. Its Gen5 technology and engineering incorporate the nDLC hard-surface finish on slide and barrel. A superior and thoroughly tested finish, it is non-reflective and has outstanding corrosion resistance.

The G45 MOS adds the GLOCK Modular Optic System for unmatched versatility. This model too has a compact-length slide, full-size frame, and Gen5 technology.

The Slimline subcompact G43X presents an even more concealable package, one that's extremely well-balanced and optimized for performance.

All Crossover GLOCKS have the startlingly accurate and reliable GLOCK Marksman Barrel (GMB). The G43X, G45, and G45 MOS models add forward slide serrations, the heralded Gen5 trigger, a reversible magazine catch, an ambidextrous slide-stop lever, and a flared magazine well for enhanced handling and faster manipulations.



Richard King Photo

CALIBER 9x19



G19X



G45



	G19X	G45	G45 MOS
ACTION/SYSTEM	SAFE ACTION® (constant double-action mode)		
LENGTH	7.44 in. / 189 mm	7.44 in. / 189 mm	7.44 in. / 189 mm
HEIGHT (INCL. MAGAZINE)	5.47 in. / 139 mm	5.47 in. / 139 mm	5.47 in. / 139 mm
WIDTH	1.30 in. / 33 mm	1.34 in. / 34 mm	1.34 in. / 34 mm
SIGHT RADIUS	5.94 in. / 151 mm *	6.02 in. / 153 mm	6.18 in. / 157 mm
BARREL LENGTH	4.02 in. / 102 mm	4.02 in. / 102 mm	4.02 in. / 102 mm
BARREL RIFLING	Enhanced hexagonal profile with right-hand twist (GMB)		
LENGTH OF TWIST	9.84 in. / 250 mm	9.84 in. / 250 mm	9.84 in. / 250 mm
MAG. CAPACITY STD. (RDS)	17 / 19	17	17
WEIGHT INC. MAGAZINE	~24.83 oz. / ~704 g	~24.48 oz. / ~694 g	~24.52 oz. / ~695 g
WEIGHT LOADED	~31.39 oz. / ~890 g	~30.34 oz. / ~860 g	~30.34 oz. / ~860 g
TRIGGER PULL	~5.8 lbs. / ~26 N	~5.8 lbs. / ~26 N	~5.8 lbs. / ~26 N
TRIGGER TRAVEL	~0.49 in. / 12.5 mm	~0.49 in. / 12.5 mm	~0.49 in. / 12.5 mm
MSRP	\$749	\$699	\$745

*(GNS) GLOCK Night Sights

Technical specs may be altered without notice

*Optics not included on MOS models

GLOCK's Iconic 9x19 Combat Pistols

The 9x19 cartridge is the world standard of combat pistol rounds. Proven power in an efficiently sized cartridge, the 9x19 is universally available. Advanced projectile technology and its ease of control have made the 9x19 the first choice for serious use.

A trusted round in trusted GLOCK pistols:

- Over a century of combat use
- Numerous ammunition offerings for all situations
- World-wide ammunition availability



Richard King Photo

CALIBER 9x19



	G34 Gen5 MOS G34 (CA)	G17 Gen5 MOS	G17 Gen5 G17 (CA)	G19 Gen5 MOS	G19 Gen5 G19 (CA)	G26 Gen5 G26 (CA)
--	--------------------------	--------------	----------------------	--------------	----------------------	----------------------

ACTION/SYSTEM	SAFE ACTION® (constant double-action mode)					
LENGTH	8.74 in. / 222 mm	7.95 in. / 202 mm	7.95 in. / 202 mm	7.28 in. / 185 mm	7.28 in. / 185 mm	6.42 in. / 163 mm
HEIGHT	5.47 in. / 139 mm	5.47 in. / 139 mm	5.47 in. / 139 mm	5.04 in. / 128 mm	5.04 in. / 128 mm	4.17 in. / 106 mm
WIDTH	1.34 in. / 34 mm	1.34 in. / 34 mm	1.34 in. / 34 mm	1.34 in. / 34 mm	1.34 in. / 34 mm	1.30 in. / 33 mm
SIGHT RADIUS (POLYMER)	7.52 in. / 191 mm	6.65 in. / 169 mm	6.50 in. / 165 mm	6.18 in. / 157 mm	6.02 in. / 153 mm	5.39 in. / 137 mm
BARREL LENGTH	5.31 in. / 135 mm	4.49 in. / 114 mm	4.49 in. / 114 mm	4.02 in. / 102 mm	4.02 in. / 102 mm	3.43 in. / 87 mm
BARREL RIFLING	Enhanced hexagonal profile with right-hand twist (GMB)					
LENGTH OF TWIST	9.84 in. / 250 mm	9.84 in. / 250 mm	9.84 in. / 250 mm	9.84 in. / 250 mm	9.84 in. / 250 mm	9.84 in. / 250 mm
MAG. CAPACITY STD. (RDS)	17	17	17	15	15	10
WEIGHT INCL. MAGAZINE	~26.21 oz. / ~743 g	~24.87 oz. / ~705 g	~24.97 oz. / ~708 g	~23.63 oz. / ~675 g	~23.63 oz. / ~670 g	~21.69 oz. / ~615 g
WEIGHT LOADED	~34.57 oz. / ~980 g	~33.33 oz. / ~945 g	~33.33 oz. / ~945 g	~29.98 oz. / ~850 g	~30.16 oz. / ~855 g	~26.07 oz. / ~739 g
TRIGGER PULL	~5.4 lbs. / ~24 N	~5.8 lbs. / ~26 N	~5.8 lbs. / ~26 N	~5.8 lbs. / ~26 N	~5.8 lbs. / ~26 N	~5.8 lbs. / ~26 N
TRIGGER TRAVEL	~0.49 in. / ~12.5 mm	~0.49 in. / ~12.5 mm	~0.49 in. / 12.5 mm	~0.49 in. / ~12.5 mm	~0.49 in. / 12.5 mm	~0.49 in. / ~12.5 mm
MSRP	\$899	\$745	\$699	\$745	\$699	\$647

Technical specs may be altered without notice
*Optics not included on MOS models



.380 AUTO

The .380 AUTO has seen a remarkable resurgence in popularity over the last several years, thanks to advancements in ammunition technology and performance. GLOCK meets the demand for an ultra-reliable handgun that makes the most of this small round with the G42. This may be GLOCK's smallest model, but it behaves like a full-size pistol.

The ultimate choice for deep concealed carry is GLOCK's G42 .380 AUTO:

- Lilliputian size, giant performance
- Self-defense in a highly concealable package
- Minimal recoil, notable accuracy
- Effective defensive ammunition readily available
- Deployed for protective use for more than 100 years



G42

6+1 COMPACT

SMALL SIZE, MAXIMUM POWER

The biggest splash can be made by the smallest object, and the GLOCK 42 in .380 AUTO is no exception. GLOCK perfection in pocket-sized dimensions, this pistol is the ultimate companion!

Frank Steiger Photo



CALIBER .380 AUTO



G42

ACTION/SYSTEM	SAFE ACTION® (constant double-action mode)
LENGTH	5.94 in. / 151 mm
HEIGHT	4.13 in. / 105 mm
WIDTH	.98 in. / 25 mm
SIGHT RADIUS (POLYMER)	4.92 in. / 125 mm
BARREL LENGTH	3.25 in. / 82.5 mm
BARREL RIFLING	Hexagonal profile with right-hand twist
LENGTH OF TWIST	9.84 in. / 250 mm
MAG. CAPACITY STD. (RDS)	6
WEIGHT INCL. MAGAZINE	~13.76 oz. / ~390 g
WEIGHT LOADED	~15.87 oz. / ~450 g
TRIGGER PULL	~5.5 lbs. / ~24 N
TRIGGER TRAVEL	~0.49 in. / ~12.5 mm
MSRP	\$480

Technical specs may be altered without notice

.40 AUTO

A proven round for law enforcement use, self-defense, competition, and casual target shooting, the .40 AUTO is a powerful cartridge without being overwhelming. Its efficient size also contributes to improved on-board capacity.

The powerful .40 AUTO GLOCK family:

- Efficient size, impressive power
- .40 AUTO GLOCK Gen5s have improved control and handling
- Documented terminal performance
- A cartridge for all occasions: self-defense, field, and competition



CALIBER .40 AUTO



	G35 Gen5 MOS *New G35 (CA)	G22 Gen5 *New G22 (CA)	G22 Gen5 MOS *New	G23 Gen5 *New G23 (CA)	G23 Gen5 MOS *New	G27 Gen5 *New G27 (CA)
ACTION/SYSTEM	SAFE ACTION® (constant double-action mode)					
LENGTH	8.74 in. / 222 mm	7.95 in. / 202 mm	7.95 in. / 202 mm	7.28 in. / 185 mm	7.28 in. / 185 mm	6.42 in. / 163 mm
HEIGHT	5.51 in. / 140 mm	5.51 in. / 140 mm	5.51 in. / 140 mm	5.08 in. / 129 mm	5.08 in. / 129 mm	4.21 in. / 107 mm
WIDTH	1.34 in. / 34 mm	1.32 in. / 33.5 mm	1.32 in. / 33.5 mm	1.32 in. / 33.5 mm	1.32 in. / 33.5 mm	1.32 in. / 33.5 mm
SIGHT RADIUS (POLYMER)	7.48 in. / 190 mm	6.46 in. / 164 mm	6.61 in. / 168 mm	5.98 in. / 152 mm	6.14 in. / 156 mm	5.39 in. / 137 mm
BARREL LENGTH	5.31 in. / 135 mm	4.49 in. / 114 mm	4.49 in. / 114 mm	4.02 in. / 102 mm	4.02 in. / 102 mm	3.43 in. / 87 mm
BARREL RIFLING	Octagonal profile with right-hand twist					
LENGTH OF TWIST	15.75 in. / 400 mm	15.75 in. / 400 mm	15.75 in. / 400 mm	15.75 in. / 400 mm	15.75 in. / 400 mm	15.75 in. / 400 mm
MAG. CAPACITY STD. (RDS)	15	15	15	12	12	9
WEIGHT INCL. MAGAZINE	~28.29 oz. / ~802 g	~28.43 oz. / ~806 g	~28.43 oz. / ~806 g	~26.67 oz. / ~756 g	~26.67 oz. / ~756 g	~23.85 oz. / ~676 g
WEIGHT LOADED	~37.04 oz. / ~1050 g	~37.32 oz. / ~1058 g	~37.32 oz. / ~1058 g	~34.36 oz. / ~974 g	~34.36 oz. / ~974 g	~29.17 oz. / ~827 g
TRIGGER PULL	~5.4 lbs. / ~24 N	~5.8 lbs. / ~26 N	~5.8 lbs. / ~26 N	~5.8 lbs. / ~26 N	~5.8 lbs. / ~26 N	~5.8 lbs. / ~26 N
TRIGGER TRAVEL	~0.49 in. / ~12.5 mm	~0.49 in. / ~12.5 mm	~0.49 in. / ~12.5 mm	~0.49 in. / ~12.5 mm	~0.49 in. / ~12.5 mm	~0.49 in. / ~12.5 mm
MSRP	\$840	\$599	\$599	\$599	\$599	\$647

Technical specs may be altered without notice
*Optics not included on MOS models



.45 AUTO

In use for more than 100 years, the iconic .45 AUTO cartridge was originally designed for the U.S. military. Tested in battle across the decades and a favorite of competitive shooters and self-defense practitioners, the .45 AUTO in a GLOCK pistol is heralded as a powerful yet controllable round.

GLOCK .45 AUTO models do it all with this do-it-all, powerful cartridge:

- Historically recognized as a premiere defensive round
- Performance-driven GLOCK platforms for every situation
- Modern ammunition designed for a wide range of applications
- Undisputed choice for everything from target shooting to conflict resolution



Richard King Photo

CALIBER .45 AUTO



	G41 Gen4 MOS	G41 Gen4	G21 Gen4 G21 SF (CA)	G30 Gen4 G30 SF (CA)	G30S	G36
ACTION/SYSTEM	SAFE ACTION® (constant double-action mode)					
LENGTH	8.78 in. / 223 mm	8.78 in. / 223 mm	8.07 in. / 205 mm	6.97 in. / 177 mm	6.97 in. / 177 mm	6.97 in. / 177 mm
HEIGHT	5.47 in. / 139 mm	5.47 in. / 139 mm	5.51 in. / 140 mm	4.80 in. / 122 mm	4.80 in. / 122 mm	4.72 in. / 120 mm
WIDTH	1.34 in. / 34 mm	1.34 in. / 34 mm	1.34 in. / 34 mm	1.38 in. / 35 mm	1.38 in. / 35 mm	1.18 in. / 30 mm
SIGHT RADIUS (POLYMER)	7.64 in. / 194 mm	7.68 in. / 195 mm	6.77 in. / 172 mm	5.91 in. / 150 mm	5.91 in. / 150 mm	5.91 in. / 150 mm
BARREL LENGTH	5.31 in. / 135 mm	5.31 in. / 135 mm	4.61 in. / 117 mm	3.78 in. / 96 mm	3.78 in. / 96 mm	3.78 in. / 96 mm
BARREL RIFLING	Octagonal profile with right-hand twist					
LENGTH OF TWIST	15.75 in. / 400 mm	15.75 in. / 400 mm	15.75 in. / 400 mm	15.75 in. / 400 mm	15.75 in. / 400 mm	15.75 in. / 400 mm
MAG. CAPACITY STD. (RDS)	13	13	13	10	10	6
WEIGHT INCL. MAGAZINE	~26.63 oz. / ~755 g	~26.81 oz. / ~760 g	~29.28 oz. / ~830 g ~29.10 oz. / ~825 g	~26.28 oz. / ~745 g	~22.75 oz. / ~645 g	~22.40 oz. / ~635 g
WEIGHT LOADED	~36.16 oz. / ~1025 g	~36.51 oz. / ~1035 g	~38.80 oz. / ~1100 g	~33.69 oz. / ~955 g	~30.16 oz. / ~855 g	~26.81 oz. / ~760 g
TRIGGER PULL	~5.4 lbs. / ~24 N	~5.4 lbs. / ~24 N	~6.3 lbs. / ~28 N	~6.3 lbs. / ~28 N	~6.3 lbs. / ~28 N	~6.3 lbs. / ~28 N
TRIGGER TRAVEL	~0.49 in. / ~12.5 mm	~0.49 in. / ~12.5 mm	~0.49 in. / ~12.5 mm	~0.49 in. / ~12.5 mm	~0.49 in. / ~12.5 mm	~0.49 in. / ~12.5 mm
MSRP	\$840	\$729	\$687 G21 Gen4 \$637 G21 SF	\$687 G30 Gen4 \$637 G30 SF	\$637	\$637

Technical specs may be altered without notice
*Optics not included on MOS models

10mm AUTO

GLOCK models in 10mm AUTO offer magnum performance in an ultra-reliable package. GLOCK engineering yields controllable recoil and substantial capacity. Accurate, durable, and safe, the GLOCK 10mm AUTO pistols are a superb choice for hunting and self-defense.

GLOCK's 10mm AUTO models—power bar none:

- Wide range of sizes satisfy numerous applications
- Large magazine capacity
- Magnum-level power
- World-renowned GLOCK quality and design features



CALIBER
10mm AUTO



	G40 Gen4 MOS	G20 Gen4 G20 SF (CA)	G29 Gen4 G29 SF (CA)
--	--------------	----------------------	----------------------



ACTION/SYSTEM	SAFE ACTION® (constant double-action mode)		
LENGTH	9.49 in. / 241 mm	8.07 in. / 205 mm	6.97 in. / 177 mm
HEIGHT	5.47 in. / 139 mm	5.51 in. / 140 mm	4.53 in. / 115 mm
WIDTH	1.34 in. / 34 mm	1.34 in. / 34 mm	1.38 in. / 35 mm
SIGHT RADIUS (POLYMER)	8.31 in. / 211 mm	6.77 in. / 172 mm	5.91 in. / 150 mm
BARREL LENGTH	6.02 in. / 153 mm	4.61 in. / 117 mm	3.78 in. / 96 mm
BARREL RIFLING	Hexagonal profile with right-hand twist		
LENGTH OF TWIST	9.84 in. / 250 mm	9.84 in. / 250 mm	9.84 in. / 250 mm
MAG. CAPACITY STD. (RDS)	15	15	10
WEIGHT INCL. MAGAZINE	~35.45 oz. / ~1005 g	~30.69 oz. / ~870 g ~30.51 oz. / ~865 g	~26.81 oz. / ~760 g
WEIGHT LOADED	~44.62 oz. / ~1265 g	~39.86 oz. / ~1130 g ~39.68 oz. / ~1125 g	~32.63 oz. / ~925 g ~32.80 oz. / ~930 g
TRIGGER PULL	~5.4 lbs. / ~24 N	~6.3 lbs. / ~28 N	~6.3 lbs. / ~28 N
TRIGGER TRAVEL	~.49 in. / ~12.5 mm	~.49 in. / ~12.5 mm	~.49 in. / ~12.5 mm
MSRP	\$840	\$687 G20 Gen4 \$637 G20 SF	\$687 G29 Gen4 \$637 G29 SF

Technical specs may be altered without notice
*Optics not included on MOS models



.357 AUTO

Developed to emulate the fabled .357 Magnum revolver round in a semiautomatic pistol, the .357 AUTO is the choice of law enforcement when failure is not an option. GLOCK pistols in this caliber—based on the .40 AUTO—develop the maximum power available in this bore size.

Accuracy, power, and supreme reliability in GLOCK's .357 AUTO group:

- Bottleneck cartridge design ensures reliable feeding
- Magnum revolver power in a semi-auto package
- Amazing ballistics and on-target performance
- High velocity delivers fight-stopping power



Photo Credit S.W.

CALIBER .357 AUTO



	G31 Gen4 G31 (CA)	G32 Gen4 G32 (CA)	G33 Gen4 G33 (CA)
ACTION/SYSTEM	SAFE ACTION® (constant double-action mode)		
LENGTH	7.95 in. / 202 mm 8.03 in. / 204 mm	7.28 in. / 185 mm 7.36 in. / 187 mm	6.42 in. / 163 mm 6.50 in. / 165 mm
HEIGHT	5.47 in. / 139 mm	5.04 in. / 128 mm	4.21 in. / 107 mm
WIDTH	1.26 in. / 32 mm	1.26 in. / 32 mm	1.26 in. / 32 mm
SIGHT RADIUS (POLYMER)	6.50 in. / 165 mm	6.02 in. / 153 mm	5.39 in. / 137 mm
BARREL LENGTH	4.49 in. / 114 mm	4.02 in. / 102 mm	3.43 in. / 87 mm
BARREL RIFLING	Hexagonal profile with right-hand twist		
LENGTH OF TWIST	9.84 in. / 250 mm	9.84 in. / 250 mm	9.84 in. / 250 mm
MAG. CAPACITY STD. (RDS)	15	13	9
WEIGHT INCL. MAGAZINE	~26.10 oz. / ~740 g	~24.34 oz. / ~690 g	~21.87 oz. / ~620 g
WEIGHT LOADED	~33.16 oz. / ~940 g	~30.34 oz. / ~860 g	~25.93 oz. / ~735 g
TRIGGER PULL	~5.5 lbs. / ~28 N	~5.5 lbs. / ~28 N	~5.5 lbs. / ~28 N
TRIGGER TRAVEL	~.49 in. / ~12.5 mm	~.49 in. / ~12.5 mm	~.50 in. / ~12.5 mm
MSRP	\$599	\$599	\$599



Frank Steiger Photo



Technical specs may be altered without notice

.45 G.A.P.

Designed specifically for GLOCK, the .45 G.A.P.—GLOCK Automatic Pistol—cartridge is a big-bore caliber that works across multiple platform sizes, including subcompact. Independent testing shows it to be more intrinsically accurate than older .45-caliber cartridges.

Refinement of a classic puts the GLOCK .45 G.A.P. models in a class of their own:

- Proven pistol round in standard, compact, and subcompact GLOCK frames
- Enhanced .45-caliber stopping power
- GLOCK reliability, durability, and safety
- Controllable recoil with notable accuracy



CALIBER .45 G.A.P.



	G37 Gen4 G37	G38	G39
ACTION/SYSTEM	SAFE ACTION® (constant double-action mode)		
LENGTH	7.95 in. / 202 mm 8.03 in. / 204 mm	7.36 in. / 187 mm	6.50 in. / 165 mm
HEIGHT	5.47 in. / 139 mm	5.04 in. / 128 mm	4.17 in. / 106 mm
WIDTH	1.30 in. / 33 mm	1.30 in. / 33 mm	1.30 in. / 33 mm
SIGHT RADIUS (POLYMER)	6.50 in. / 165 mm	6.02 in. / 153 mm	5.39 in. / 137 mm
BARREL LENGTH	4.49 in. / 114 mm	4.02 in. / 102 mm	3.43 in. / 87 mm
BARREL RIFLING	Octagonal profile with right-hand twist		
LENGTH OF TWIST	15.75 in. / 400 mm	15.75 in. / 400 mm	15.75 in. / 400 mm
MAG. CAPACITY STD. (RDS)	10	8	6
WEIGHT INCL. MAGAZINE	~28.75 oz. / ~815 g	~26.63 oz. / ~755 g	~24.16 oz. / ~685 g
WEIGHT LOADED	~35.27 oz. / ~1000 g	~31.75 oz. / ~900 g	~27.87 oz. / ~790 g
TRIGGER PULL	~5.5 lbs. / ~28 N	~5.5 lbs. / ~28 N	~5.5 lbs. / ~28 N
TRIGGER TRAVEL	~.49 in. / ~12.5 mm	~.49 in. / ~12.5 mm	~.49 in. / ~12.5 mm
MSRP	\$664 G37 Gen4 \$614 G37	\$614	\$614



Straight 8 Photo



Technical specs may be altered without notice



GLOCK ACCESSORIES

HOLSTERS, CASE & SIGHTS

FULLY ADJUSTABLE REAR SIGHT

Equipped with a contrast insert that enables simple, accurate, and fast alignment, the GLOCK Adjustable Rear Sight has a low-profile, point-of-impact positioning that is adjustable in elevation and windage. Supplied with adjustment tool. (store.teamglock.com)



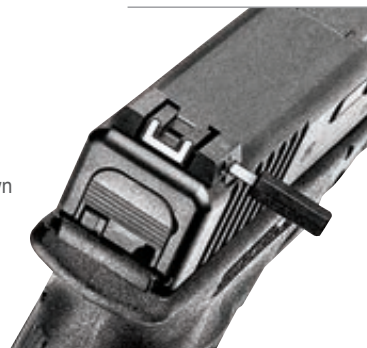
1. FIXED REAR SIGHT

This sight is available to compensate for various types of ammunition. Available in 6.1mm, 6.5mm, 6.9mm, and 7.3mm heights.



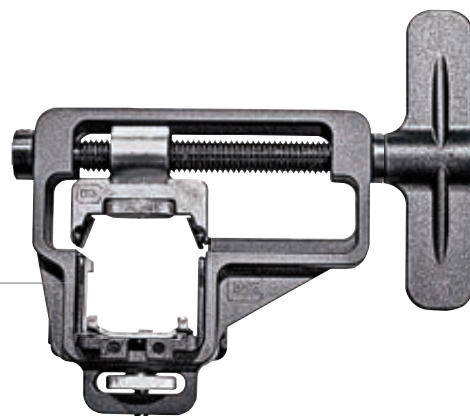
2. STEEL SIGHTS

GLOCK offers durable fixed steel sights as an alternative to the well-known standard synthetic fixed sights.



REAR SIGHT ADJUSTMENT TOOL

A versatile, easy to use adjustment and installation device for GLOCK rear sights. (store.teamglock.com)



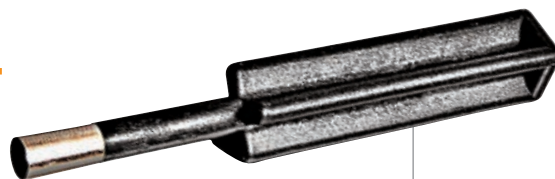
FIXED NIGHT SIGHT

Tritium contrast points that illuminate in color at night, visible as white in daylight. (store.teamglock.com)



FRONT SIGHT MOUNTING TOOL

For installing the GLOCK screw-on front sight (all versions), simply screw the front sight onto the slide of the pistol. By turning the screw, the front sight is easily installed and locked in place. (store.teamglock.com)



SURVIVAL KNIFE

The GLOCK Survival Knife is made of a special hardened steel, with polymer handles and black, anti-corrosion-coated blades for maximum durability and ruggedness. Knives come with matching sheaths made of high-impact-resistant polymer material and feature a loop catch that allows for quick drawing with only one hand. They fit belts up to 2.4 inches (60mm) in width. (store.teamglock.com)

SURVIVAL KNIFE MODEL 81

Survival knife with saw.

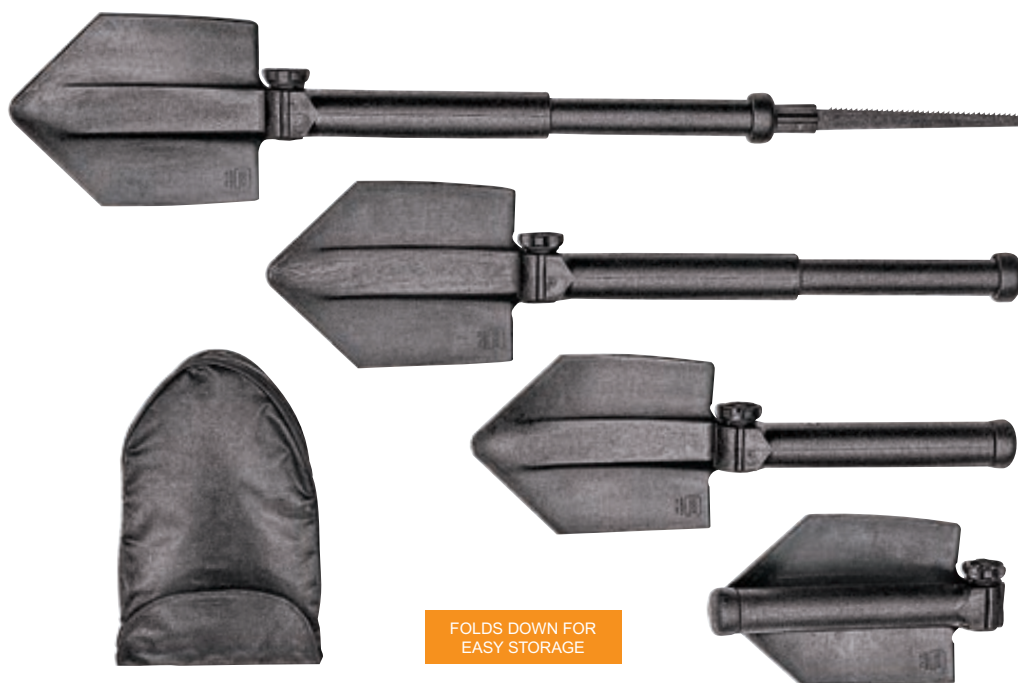
AVAILABLE IN:

- Black
- Sniper Grey
- Flat Dark Earth
- Battlefield Green



ENTRENCHING TOOL

A must-have for any outdoor enthusiast, this innovative entrenching tool has a surface-treated blade that can be locked in three positions for multiple uses. The hardened saw located inside the handle can be quickly mounted if required. When folded, the GLOCK Entrenching Tool can be easily stored in a backpack or vehicle. Comes with a durable nylon pouch that can attach to a belt or backpack. (store.teamglock.com)



FOLDS DOWN FOR
EASY STORAGE



GLOCK ACCESSORIES

HOLSTERS, CASE & SIGHTS

GLOCK DUMMY ROUNDS

GLOCK Dummy Rounds have the same shape and dimensions as live ammunition in the 9x19, .40 AUTO, and .45 AUTO chamberings but are totally inert and safe for dry-fire practice. Produced from a polyamide polymer, GLOCK Dummy Rounds live up to GLOCK quality standards, which ensure resistance to abrasion, long service life, and superior performance. GLOCK Dummy Rounds are the safe choice made by police, military, and civilians for training purposes. (store.teamglock.com)



SPORT/DUTY HOLSTER

The tough basic model, in both left- and right-hand versions, secures the entire pistol safely with a thumb-break retention strap. Available in 1.34-inch (34mm) and 1.77-inch (45mm) belt widths. (store.teamglock.com)



MAGAZINE POUCH

This ambidextrous pouch will accommodate belt widths from 1.25 inches (31.8mm) to 2.48 inches (63mm). The pouch has an integral detent, which provides retention without the need for straps or flaps. Available for all magazines, excluding the GLOCK 36 and GLOCK 42. (store.teamglock.com)



SPORT/COMBAT HOLSTER

A super-lightweight, ambidextrous holster that's popular for off-duty or plainclothes use. It conceals GLOCK pistols beneath a coat or jacket. A special trigger guard retention device secures the pistol in the holster. The holster will accommodate belt widths from 1.25 inches (31.8mm) to 2.48 inches (63mm). (store.teamglock.com)



FIREARMS DESIGNED WITH EVERY NEED IN MIND



When buying a firearm, it's important to choose one that serves your specific needs. That's why GLOCK™ pistols are designed to meet a range of requirements—while still possessing the fundamental qualities you depend on. **No matter your objective, we have the firearm that's right for you.**

DUTY	SPORT SHOOTING	CONCEALED CARRY
PERSONAL DEFENSE	ENTHUSIAST	HUNTING

MOS MOS CONFIGURATIONS AVAILABLE

	SLIMLINE	SUBCOMPACT	COMPACT	STANDARD	LONG SLIDE
 9x19	G43 ●●● G43X ●●●●● MOS G48 ●● MOS	G26 ●●●	G19 ●●●●● G45 ●●●● MOS	G17 ●●●●	G34 ●●●● MOS G17L ●
 .40		G27 ●●●	G23 ●●●	G22 ●●●	G35 ●● MOS G24 ●●
 10mm Auto		G29 ●		G20 ●●●	G40 ●● MOS
 .45 Auto	G36 ●●●	G30 ●●		G21 ●●●●	G41 ●● MOS
 .45 G.A.P.		G39 ●	G38 ●	G37 ●	
 .380 Auto	G42 ●●●				
 .357		G33 ●	G32 ●	G31 ●	
 .22 LR			G44 ●●		
SPECIAL TRAINING AND PRACTICE MODELS	Cutaway	Practice	Reset	Training	

For more information, visit us.glock.com or find a dealer near you.

GSSF

Good. Solid. Shooting. Fun.

Ready for a little friendly competition out at the range?
Join the GLOCK Sport Shooting Foundation
to compete in a league and more!

For match schedules,
GSSF official rules
and other information,
visit gssfonline.com

